

NOPAK[®]

CATALOG 101 - SVR



SEVERE SERVICE
LOW PRESSURE
CAST-HEAD
CYLINDERS

HYDRAULIC &
PNEUMATIC

CLASS 1, 2, OR M
PNEUMATIC
TO 250 PSI

CLASS 2
HYDRAULIC
TO 450 PSI

CLASS M (MILL)
HYDRAULIC
TO 650 PSI



NOPAK CANADA INC.



HEAD OFFICE:

220 Frobisher Drive, Waterloo, Ontario N2V 2C7
TEL: (519) 886-6900 | TEL: (905) 452-8210 | FAX: (519) 886-9181
admin@nopakcanada.com | www.nopakcanada.com

SUCCURSALE / BRANCH OFFICE:

5673 Chemin Saint-François, Saint-Laurent, Québec H4S 1W6
TEL: (514) 920-0220 | TEL: 1-800-361-5777 | FAX: (514) 920-0222
ventes@nopakcanada.com | www.nopakcanada.com

NOPAK SEVERE SERVICE CYLINDERS

Brochure 101 SVR is a supplement to NOPAK Catalog 101, highlighting features of NOPAK cylinders designed for SEVERE SERVICE APPLICATIONS.

- Piston rod packing box is designed for double bearings and oversize rods with bolt-on steel plate packing retainers.
- Easily adjustable rod seals are a multiple stack split V-packing available in fabric-reinforced nitrile or fabric-reinforced Viton.
- Larger diameter piston rod (beyond the oversize OB rod).
- Piston rod thread lengths are longer than standard Class 1, 2, or M to incorporate a hex jam nut (employed to adjust and lock clevis or rod eye accessories).

Note: This catalog applies to Models C, E, F, & H mountings only. For double rod bearing features in 10, 12, and 14 inch bores, please refer to Nopak Catalog 101.

TABLE OF DIMENSIONS – MODEL C

BORE	A	ROD DIA.	OB-1		C	D	E	F	G	H	I	J-1	J-2	K	L	M	N	T
			SB-1															
3.00	8.625	1.00	1.00-14	2.375	5.250	4.875	.531	.750	.375	.625	.750	.750	.750	2.125	(4)	2.125	.625	.500
	9.125	1.25	1.25-12	2.875										2.625	.375			
4.00	10.000	1.25	1.25-12	2.875	7.750	6.750	.531	.875	.500	.625	1.000	.750	.750	2.625	(4)	2.625	.625	.688
	10.625	1.50	1.50-12	3.500										3.250	.500			
5.00	10.125	1.25	1.25-12	2.875	7.750	7.250	.531	.875	.500	.750	1.000	.875	.875	2.625	(6)	2.625	.625	.688
	10.750	1.50	1.50-12	3.500										3.250	.500			
6.00	11.688	1.50	1.50-12	3.500	9.000	8.375	.531	1.125	.750	.750	1.000	.875	.875	3.250	(6)	3.000	.625	.875
	11.813	1.75	1.75-12	3.625										3.375	.500			
8.00	15.125	2.00	2.00-12	4.500	10.750	10.875	.781	-	1.000	.875	1.125	1.250	1.250	4.250	(6)	-	.875	1.063
	15.250	2.25	2.25-12	4.625										4.375	.625			

TABLE OF DIMENSIONS – MODEL E

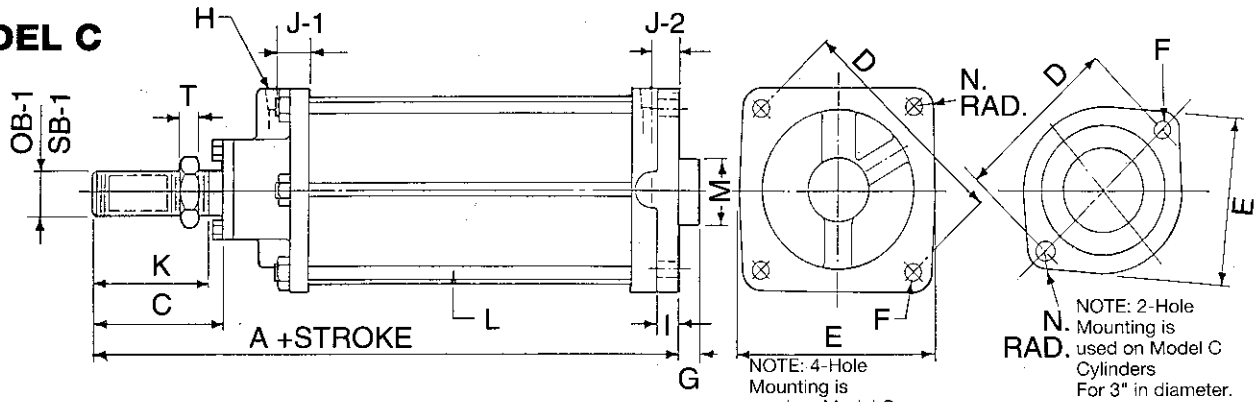
BORE	A	ROD DIA.	OB-1		C	D	E	F	G	H	I	J	K	L	M	P	Q	T
			SB-1															
3.00	10.187	1.00	1.00-14	2.375	.625	3.750	.500	.500	.375	.500	.750	.750	2.125	(4)	1.750	2.312	5.375	.500
	10.688	1.25	1.25-12	2.875									2.625	.375				
4.00	11.875	1.25	1.25-12	2.875	.875	4.875	.750	.750	.500	.750	1.000	1.000	2.625	(4)	2.000	2.625	6.250	.688
	12.500	1.50	1.50-12	3.500									3.250	.500				
5.00	12.000	1.25	1.25-12	2.875	.875	6.375	.750	.750	.500	.750	1.000	1.000	2.625	(6)	2.000	2.750	6.250	.688
	12.625	1.50	1.50-12	3.500									3.250	.500				
6.00	14.063	1.50	1.50-12	3.500	1.125	7.250	.875	1.000	.750	1.000	1.000	1.000	3.250	(6)	2.625	3.375	7.063	.875
	14.187	1.75	1.75-12	3.625									3.375	.500				
8.00	16.500	2.00	2.00-12	4.500	1.250	9.625	1.000	1.000	1.000	1.000	1.125	1.125	4.250	(6)	3.500	2.625	9.250	1.063
	16.625	2.25	2.25-12	4.625									4.375	.625				

TABLE OF DIMENSIONS – MODEL F – MODEL H

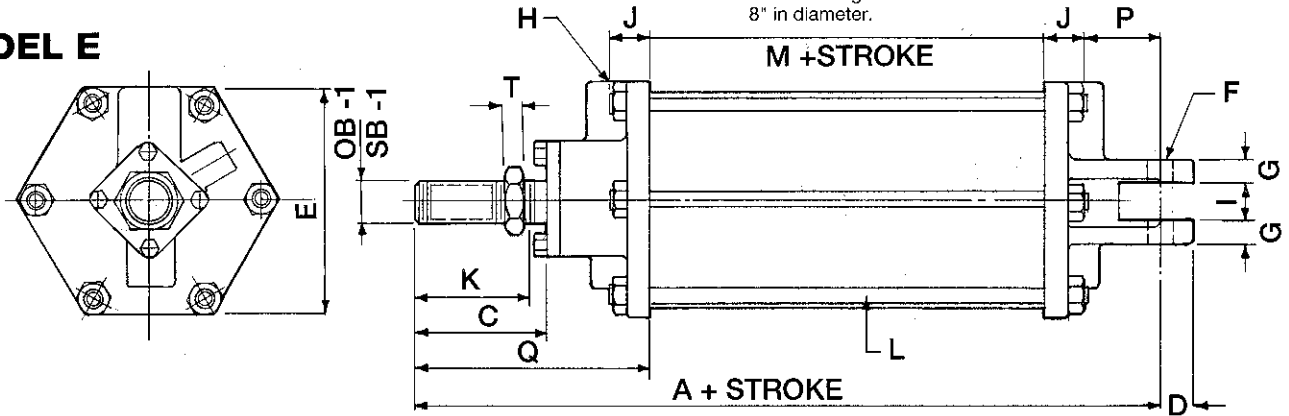
BORE	A	ROD DIA.	OB-1		C	D	E	F	G	H	I	J	K	L	M	N	O	T
			SB-1															
3.00	9.375	1.00	1.00-14	2.375	.750	3.875	1.125	6.500	.375	.600	.750	.750	2.125	(4)	1.750	3.063	.625	.500
	9.875	1.25	1.25-12	2.875									2.625	.375				
4.00	10.875	1.25	1.25-12	2.875	1.000	4.875	1.250	7.750	.500	7.000	1.000	1.000	2.625	(4)	2.000	3.500	.750	.688
	11.500	1.50	1.50-12	3.500									3.250	.500				
5.00	11.000	1.25	1.25-12	2.875	1.000	6.875	1.250	9.000	.500	7.000	1.000	1.000	2.625	(6)	2.000	4.250	.750	.688
	11.625	1.50	1.50-12	3.500									3.250	.500				
6.00	12.812	1.50	1.50-12	3.500	1.000	8.375	1.250	11.000	.750	7.813	1.000	1.000	3.250	(6)	2.625	4.875	.750	.875
	12.938	1.75	1.75-12	3.625									3.375	.500				
8.00	15.000	2.00	2.00-12	4.500	1.500	10.875	1.250	12.750	1.000	10.250	1.125	1.125	4.250	(6)	3.500	6.375	1.000	1.063
	15.125	2.25	2.25-12	4.625									4.375	.625				

NOPAK SEVERE SERVICE CYLINDERS

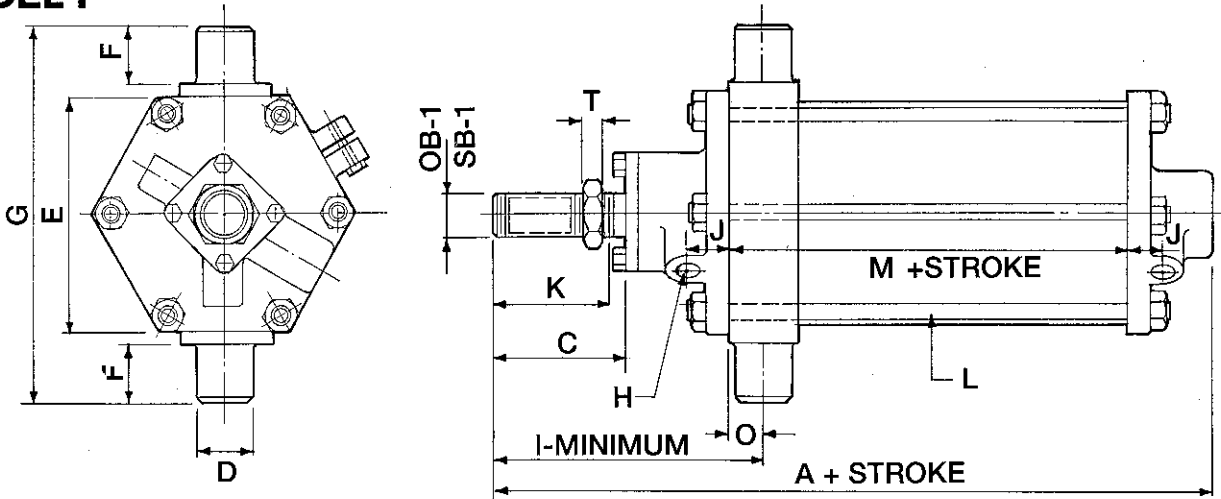
MODEL C



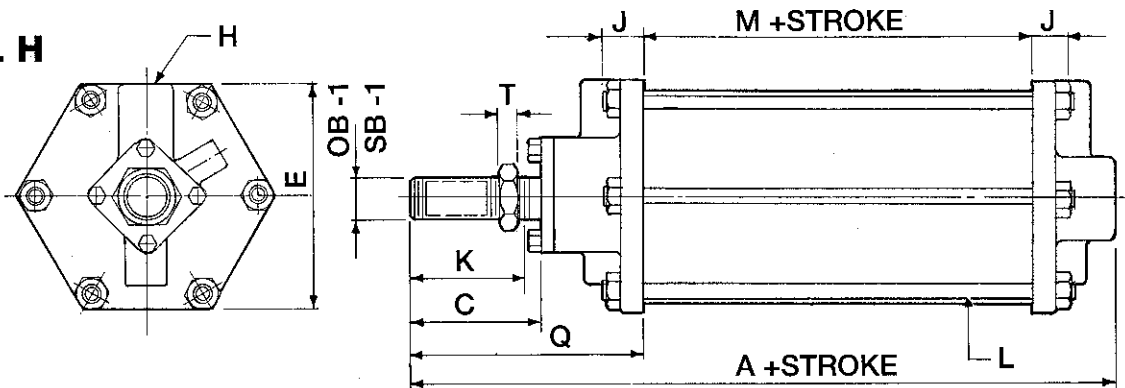
MODEL E



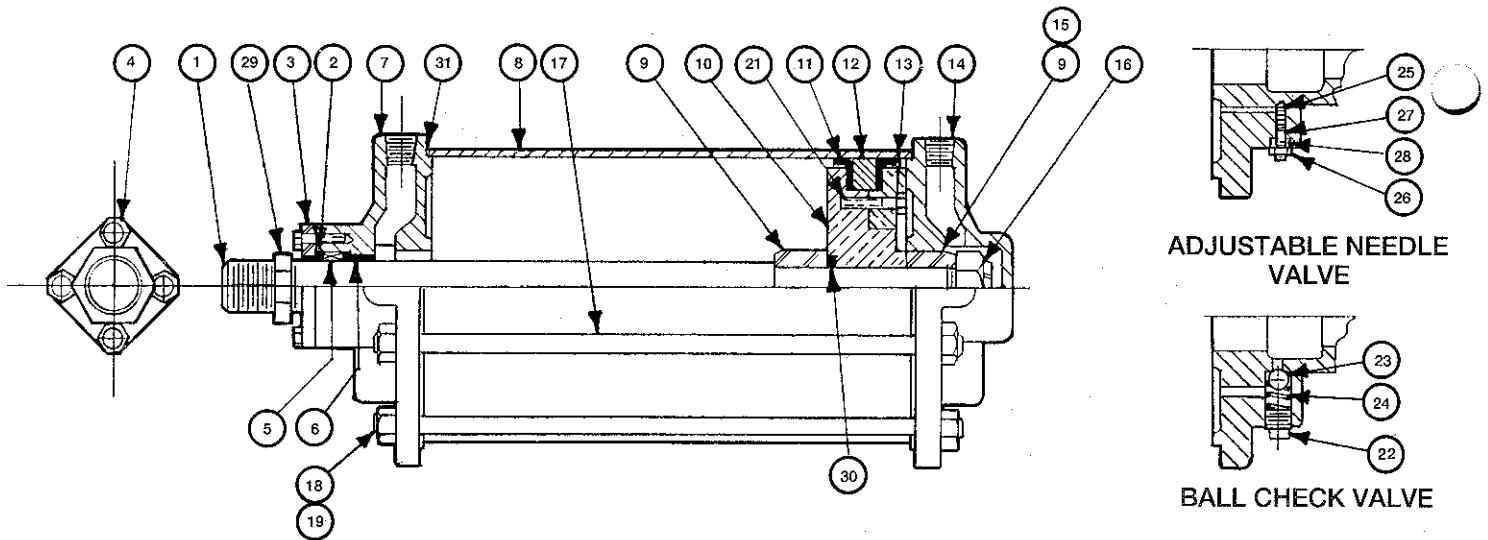
MODEL F



MODEL H



NOPAK SEVERE SERVICE CYLINDER PARTS LIST



Parts List

- | | |
|-----------------------------------|-----------------------------|
| 1. Piston Rod | 17. Tie Rods |
| 2. Packing Gland | 18. Tie Rod Nuts |
| 3. Gland Ring | 19. Lock Washers |
| 4. Gland Ring Screws | * 20. Set-Screw 8" Dia. |
| 5. V-Ring Packing | 21. Piston Cap Screws |
| 6. Piston Rod Bushing | 22. Ball Check Plug |
| 7. Rod End Cylinder Head | 23. Ball Check Ball |
| 8. Cylinder Tube | 24. Ball Check Spring |
| 9. Cushion Sleeve | 25. Needle Valve |
| 10. Piston Follower | 26. Needle Valve Lock Nut |
| 11. Piston Cups | 27. Needle Valve Packing |
| 12. Piston | 28. Needle Valve Gland Ring |
| 13. Follower Ring 5-6-8" Dia. | 29. Hex Jam Nut |
| 14. Blank End Cylinder Head | 30. O-Ring 6-8" Dia. |
| * 15. Lock Sleeve 8" Dia. | 31. Gasket |
| 16. Piston Lock Nut 3-4-5-6" Dia. | |

* To Be Replaced in Pairs

Parts Order Information

When using this parts list for replacements, be sure to:

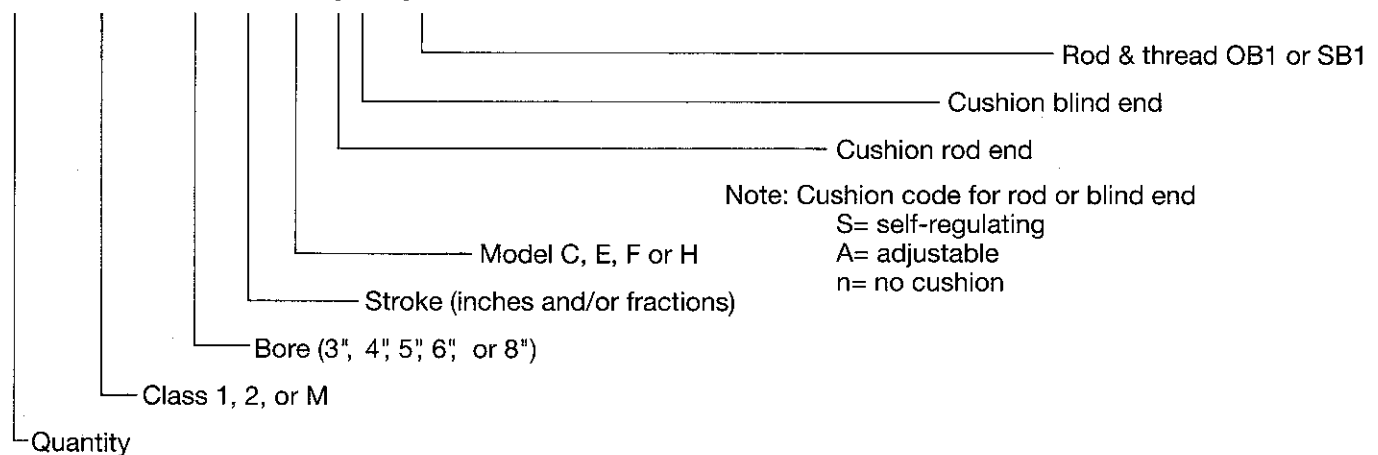
1. Identify part by name and item number
2. Diameter of cylinder
3. Model of cylinder
4. Serial number on NOPAK cylinder label

EXAMPLE:

ORDERING CODE:

PHONE: 414-645-6000 • FAX: 414-645-6048

1 - CL1/SVR - 4 X 16 - E - SA - SB1



Note: Cushion code for rod or blind end
 S= self-regulating
 A= adjustable
 n= no cushion