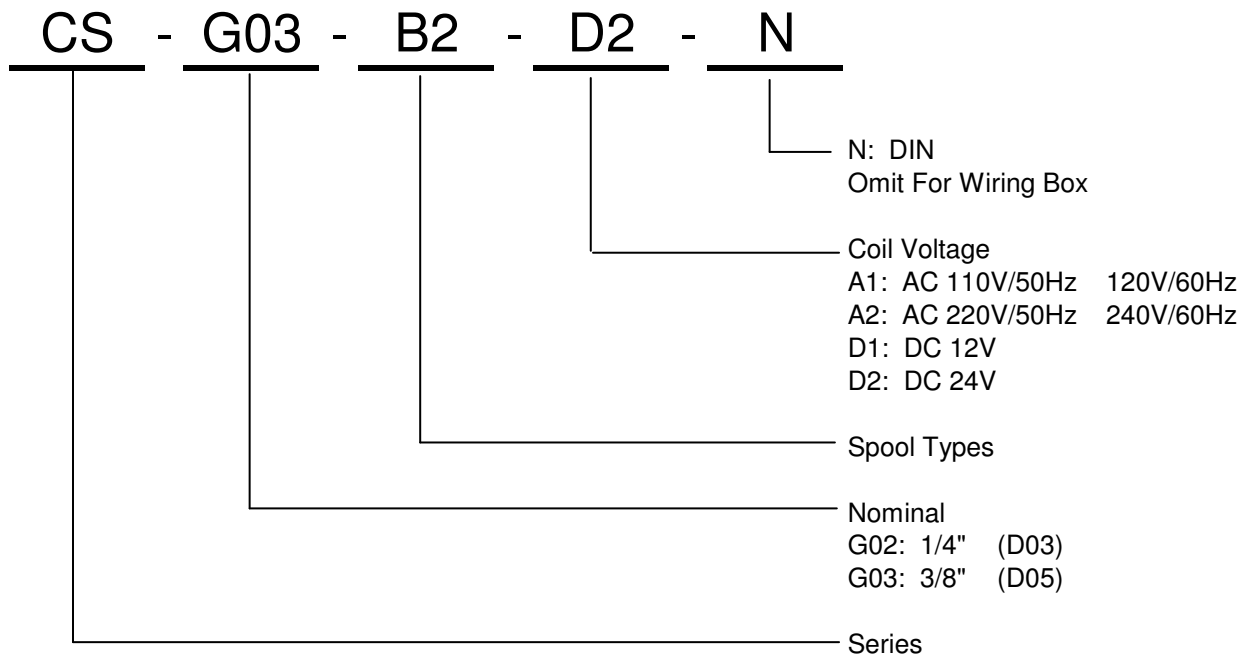
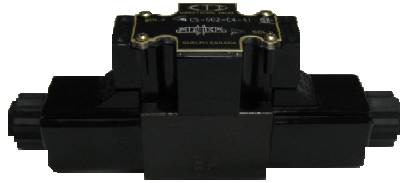
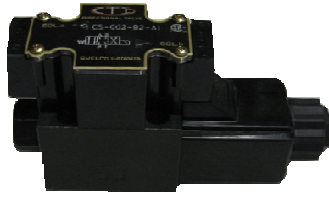


Directional Control Valves Solenoid Operated - CS Series



Product Characteristics:

- ISO standard (4401-03-02-0-94) mounting
- Wet tubes
- Quiet surgeless operation
- Manual override
- Dual frequency 50/60Hz
- Moisture proof construction
- H class coil insulation
- LED indication



Control Technologies International Limited
(519) 823-4466 www.c-t-i.ca

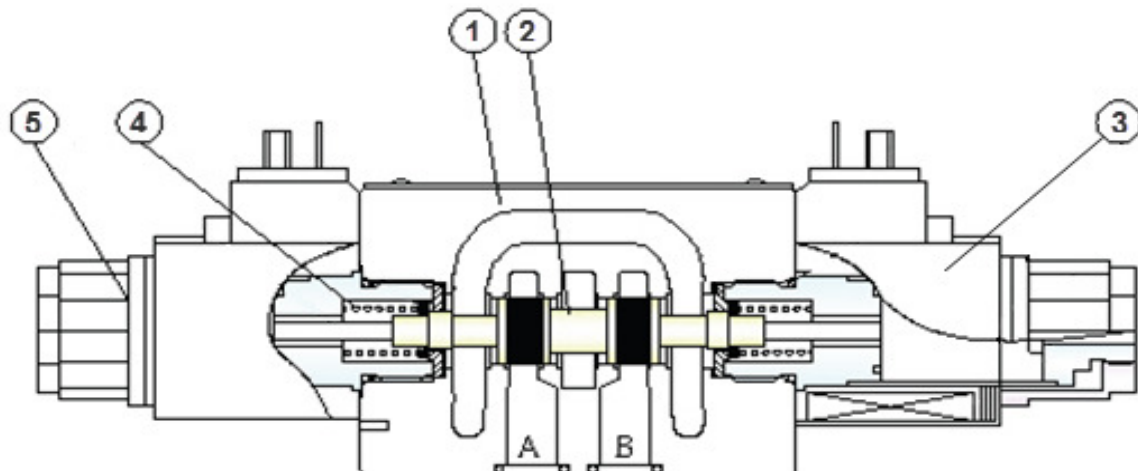
Directional Control Valves Solenoid Operated - CS Series

Functional Description:

The directional control valves consist of housing (1), a control spool (2), with two centering springs (4), and operating solenoid (3).

The three-position directional control valves are fitted with two solenoids and two springs. Two-position directional control valves have either one solenoid and one return spring or two solenoids and a detent assembly.

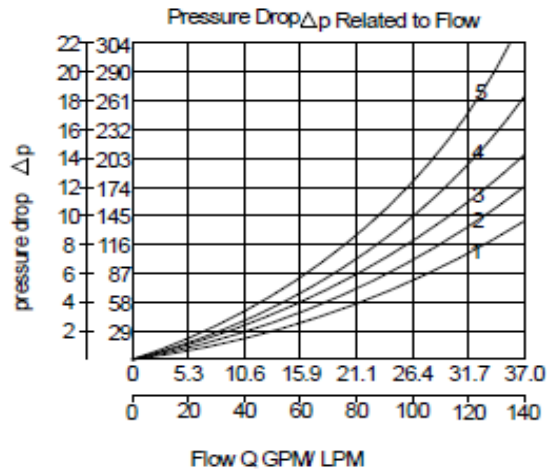
The connectors can be turned 90° by loosening the nut (5); the solenoids can be turned or replaced without interfering with any seals. In the case of solenoid malfunction or power failure, the valve spool can be shifted manually, provided the pressure in T-port does not exceed 350 psi (25 bar). The valve housing (1) is phosphate coated.



Control Technologies International Limited
(519) 823-4466 www.c-t-i.ca

Directional Control Valves
Solenoid Operated - CS Series

Δp -Q Characteristics of CS G03 Valves



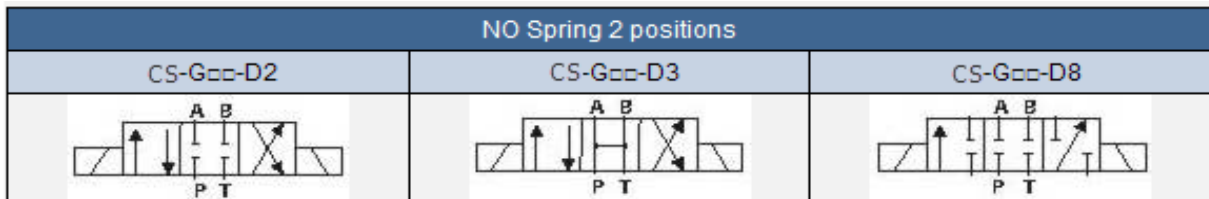
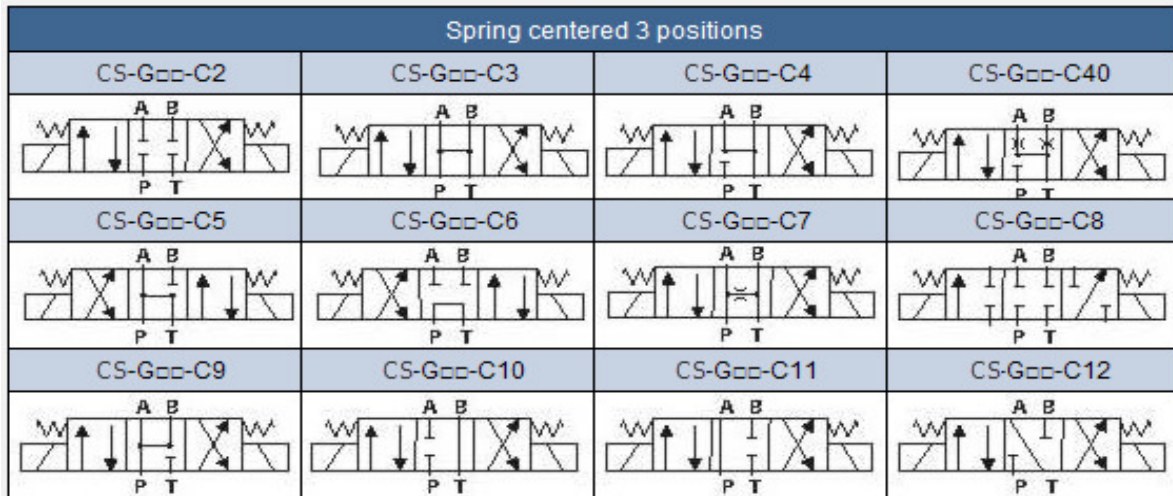
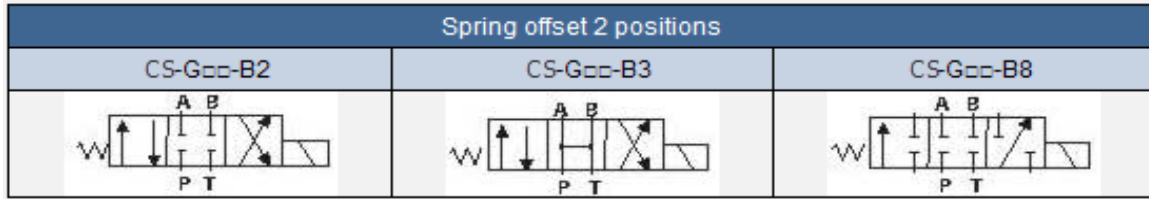
	P-A	P-B	A-T	B-T	P-T
C2	1	1	2	2	
C3	1	1	2	2	1
C4	1	1	2	2	
C5	1	1	1	2	2
C6	4	3	4	5	1
C8	3	3	3	3	
B2	1	1	2	3	
B3	1	1	3	2	
B3		1	2		



Control Technologies International Limited
(519) 823-4466
www.c-t-i.ca

Directional Control Valves

Solenoid Operated - CS Series



Control Technologies International Limited
 (519) 823-4466 www.c-t-i.ca

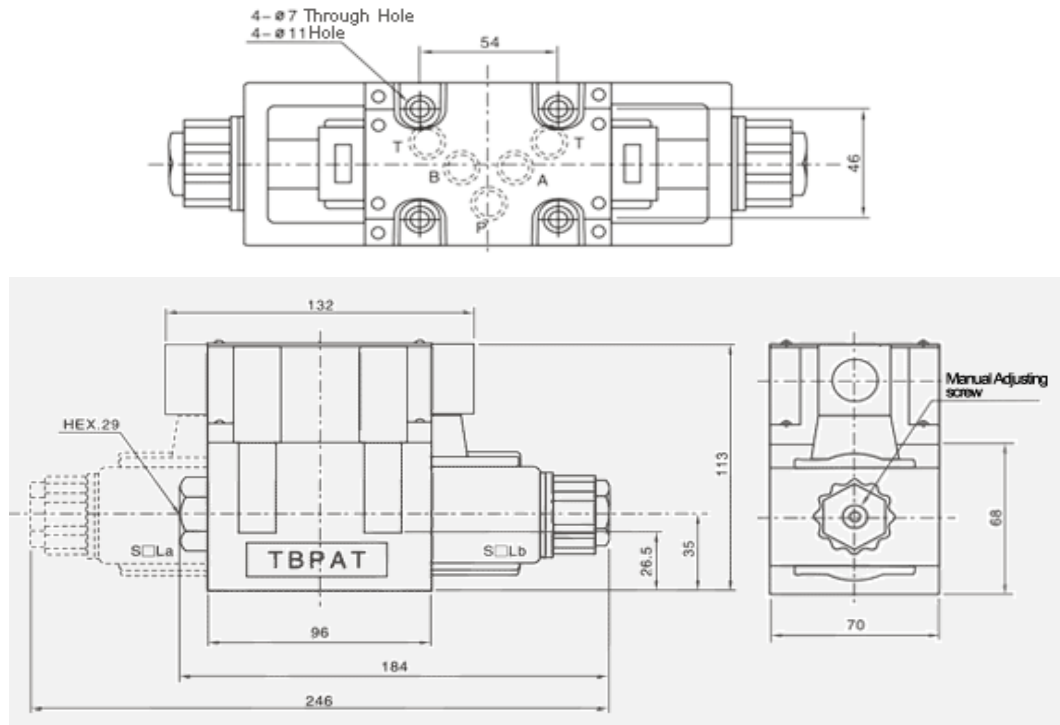
Directional Control Valves

Solenoid Operated - CS Series

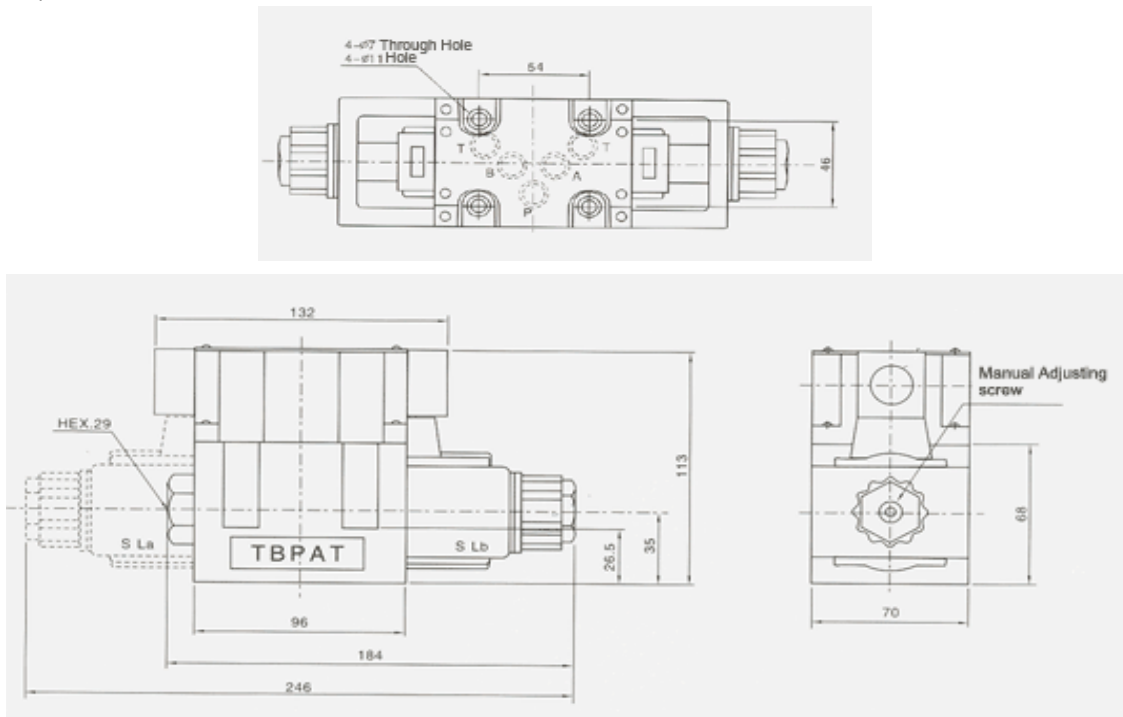
Type	Graphic symbols		Type	Graphic symbols	
	Standard	Reverse		Standard	Reverse
B2A			B2B		
B3A			B3B		
B4A			B4B		
B40A			B40B		
B5A			B5B		
B60A			B60B		
B7A			B7B		
B8A			B8B		
B9A			B9B		
B10A			B10B		
B11A			B11B		
B12A			B12B		

Directional Control Valves Solenoid Operated - CS Series

CS-G03-A1/A2



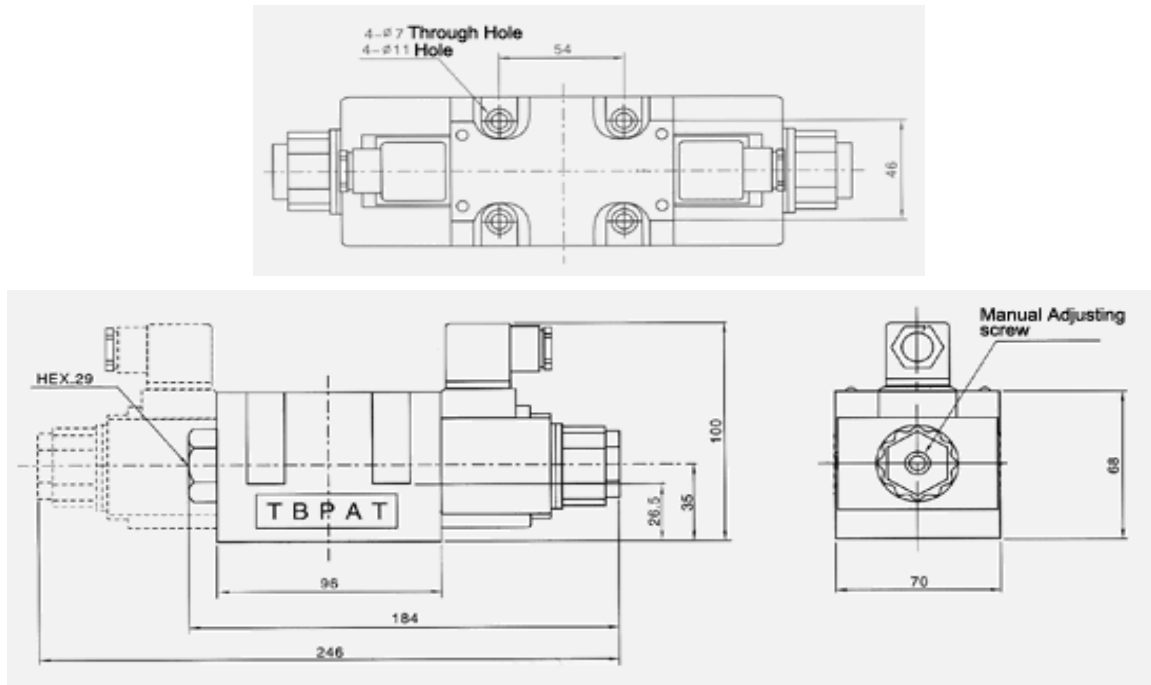
CS-G03-D1/D2



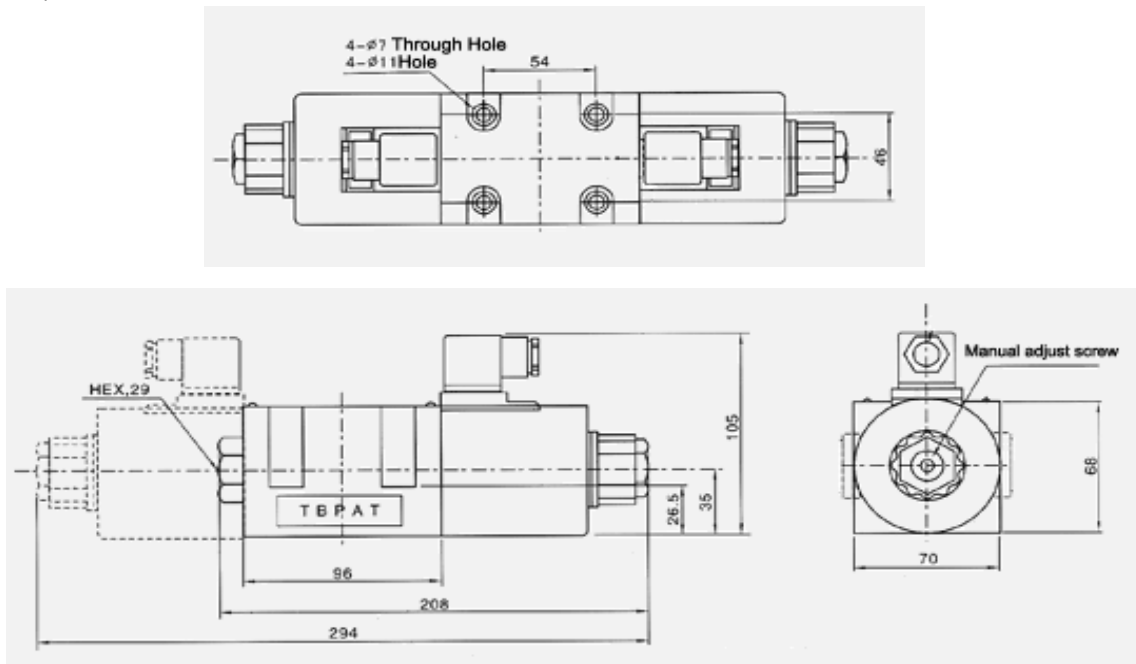
Control Technologies International Limited
(519) 823-4466
www.c-t-i.ca

Directional Control Valves Solenoid Operated - CS Series

CS-G03-A1/A2-N



CS-G03-D1/D2-N



Control Technologies International Limited
(519) 823-4466
www.c-t-i.ca