



## 316L Stainless Steel Push to Connect Fittings



Available in NPT / BSPT / BSPP thread in metric and imperial tube OD

# SMTC 1/4-N02

### Model:

SMTC	= Male Straight
SMTL	= Male Elbow
SMTCF	= Female Straight
SMTMF	= Female Bulkhead
SMTCR	= Male Round
SMTB	= Male Branch T
SMTD	= Male Run T
SMTX	= Male Y
SMTU	= Straight Union
SMTE	= Tee Union
SMTV	= Elbow Union
SMTY	= Y Union
SMTZA	= Cross Union
SMTAJ	= Plug-In Expander
SMTGJ	= Plug-In Reducer
SMTPP	= Plug
SMTKG	= Manifold Union
SMTM	= Bulkhead Union
SMTMV	= Bulkhead Elbow
SMSC	= Meter Out Speed Control
SMSCA	= Inline Speed Control

### Tube OD:

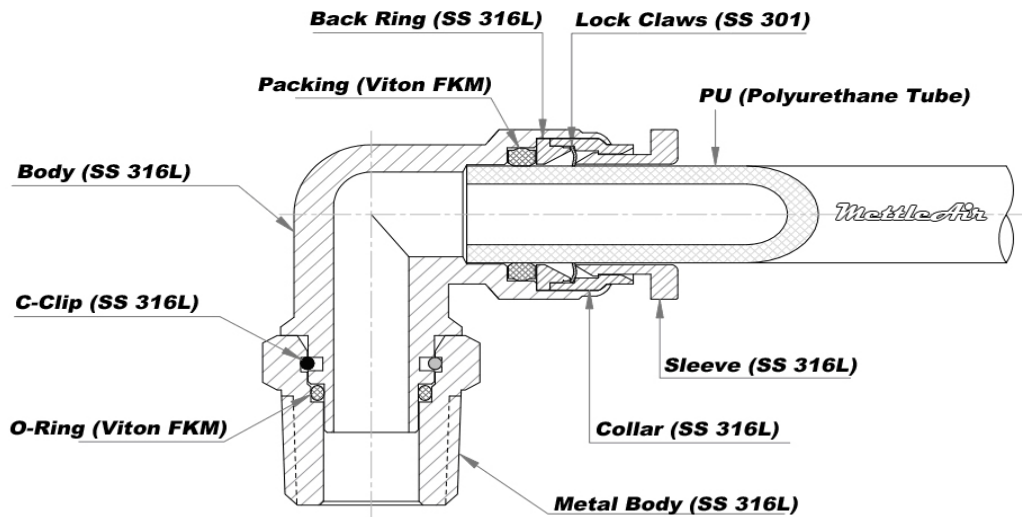
1/8	= 1/8"
5/32	= 5/32"
3/16	= 3/16"
1/4	= 1/4"
5/16	= 5/16"
3/8	= 3/8"
1/2	= 1/2"
3	= 3 mm
4	= 4 mm
5	= 5 mm
6	= 6 mm
8	= 8 mm
10	= 10 mm
12	= 12 mm
14	= 14 mm
16	= 16 mm

### Thread:

N00	= 1/16" NPT
N01	= 1/8" NPT
N02	= 1/4" NPT
N03	= 3/8" NPT
N04	= 1/2" NPT
O1	= 1/8" BSPT
O2	= 1/4" BSPT
O3	= 3/8" BSPT
O4	= 1/2" BSPT
G01	= 1/8" BSPP
G02	= 1/4" BSPP
G03	= 3/8" BSPP
G04	= 1/2" BSPP
U10	= 10-32 UNF
M3	= M3 x 0.5
M5	= M5 x 0.8
M6	= M6 x 1.0
M7	= M7 x 1.0
M8	= M8 x 1.25



Example: Straight Male fitting with 1/4" Tube OD to 1/4" NPT



SPECIFICATIONS	
Fluid Type	AIR, WATER, STEAM
Operating Pressure	0-215 PSI
Working Temperature	-4° F - 284° F (-20° C - 140° C)
Metallic Body	316L Stainless Steel
O-Ring	FKM (VITON)
Packing	FKM (VITON)
Back Ring	316L Stainless Steel
Lock Claws	Stainless Steel
Collar	316L Stainless Steel
Sleeve	316L Stainless Steel

## Features

- Designed for Polyurethane or Nylon tubing
  - Quick and Reliable connections
  - Reusable: Multiple connections/disconnections
  - Metallic body made of 316L Stainless Steel
  - O-Ring and Packing made of FKM (VITON)
- 
- NPT / BSPT threads no sealant
  - BSPP (G), U10, M5, M6 threads equipped with FKM (VITON) O-Ring

## Straight Male Connector



### Part #

SMTC1/8-N00  
 SMTC1/8-U10  
 SMTC1/8-N01  
 SMTC1/8-N02  
 SMTC5/32-M5  
 SMTC5/32-M6  
 SMTC5/32-U10  
 SMTC5/32-N00  
 SMTC5/32-N01  
 SMTC5/32-N02  
 SMTC3/16-U10  
 SMTC3/16-N00  
 SMTC3/16-N01  
 SMTC3/16-N02  
 SMTC1/4-N00  
 SMTC1/4-U10  
 SMTC1/4-N01  
 SMTC1/4-N02  
 SMTC1/4-N03  
 SMTC1/4-N04  
 SMTC5/16-N01  
 SMTC5/16-N02  
 SMTC5/16-N03  
 SMTC5/16-N04  
 SMTC3/8-N01  
 SMTC3/8-N02  
 SMTC3/8-N03  
 SMTC3/8-N04  
 SMTC1/2-N02  
 SMTC1/2-N03  
 SMTC1/2-N04

### Part #

SMTC4-N00  
 SMTC4-U10  
 SMTC5-U10  
 SMTC4-N01  
 SMTC4-N02  
 SMTC6-N00  
 SMTC6-N01  
 SMTC6-N02  
 SMTC6-N03  
 SMTC6-N04  
 SMTC8-N01  
 SMTC8-N02  
 SMTC8-N03  
 SMTC8-N04  
 SMTC10-N02  
 SMTC10-N03  
 SMTC10-N04  
 SMTC12-N02  
 SMTC12-N03  
 SMTC12-N04  
 SMTC14-N03  
 SMTC14-N04  
 SMTC16-N03  
 SMTC16-N04

### Part #

SMTC4-M5  
 SMTC4-M6  
 SMTC4-01  
 SMTC4-02  
 SMTC6-M5  
 SMTC6-M6  
 SMTC6-01  
 SMTC6-02  
 SMTC6-03  
 SMTC8-01  
 SMTC8-02  
 SMTC8-03  
 SMTC10-02  
 SMTC10-03  
 SMTC10-02  
 SMTC10-03  
 SMTC10-04  
 SMTC12-02  
 SMTC12-03  
 SMTC12-04  
 SMTC14-03  
 SMTC14-04  
 SMTC16-03  
 SMTC16-04  
  
 SMTC5/32-M5  
 SMTC5/32-M6  
 SMTC5/32-01  
 SMTC5/32-02  
 SMTC5/16-01  
 SMTC5/16-02  
 SMTC5/16-03

### Part #

SMTC4-G01  
 SMTC5-G01  
 SMTC6-G01  
 SMTC6-G02  
 SMTC8-G01  
 SMTC8-G02  
 SMTC10-G01  
 SMTC10-G02  
 SMTC10-G03

### Part #

SMTC1/8-G01  
 SMTC5/32-G01  
 SMTC1/4-G01  
 SMTC1/4-G02  
 SMTC5/16-G01  
 SMTC5/16-G02  
 SMTC3/8-G01  
 SMTC3/8-G02  
 SMTC3/8-G03

\*NPT / BSPT threads no sealant

\*BSPP (G), U10, M5, M6 threads equipped with FKM (VITON) O-Ring

**90° Elbow Male Swivel**



Part #
SMTL1/8-U10
SMTL1/8-N00
SMTL1/8-N01
SMTL1/8-N02
SMTL5/32-M5
SMTL5/32-M6
SMTL5/32-U10
SMTL5/32-N00
SMTL5/32-N01
SMTL5/32-N02
SMTL3/16-U10
SMTL3/16-N00
SMTL3/16-N01
SMTL3/16-N02
SMTL1/4-N00
SMTL1/4-U10
SMTL1/4-N01
SMTL1/4-N02
SMTL1/4-N03
SMTL1/4-N04
SMTL5/16-N01
SMTL5/16-N02
SMTL5/16-N03
SMTL5/16-N04
SMTL3/8-N01
SMTL3/8-N02
SMTL3/8-N03
SMTL3/8-N04
SMTL1/2-N02
SMTL1/2-N03
SMTL1/2-N04

Part #
SMTL4-N00
SMTL4-U10
SMTL4-N01
SMTL4-N02
SMTL5-U10
SMTL6-N00
SMTL6-N01
SMTL6-N02
SMTL6-N03
SMTL6-N04
SMTL8-N01
SMTL8-N02
SMTL8-N03
SMTL8-N04
SMTL10-N02
SMTL10-N03
SMTL10-N04
SMTL12-N02
SMTL12-N03
SMTL12-N04
SMTL14-N03
SMTL14-N04
SMTL16-N03
SMTL16-N04

Part #
SMTL4-M5
SMTL4-M6
SMTL4-01
SMTL4-02
SMTL6-M5
SMTL6-M6
SMTL6-01
SMTL6-02
SMTL6-03
SMTL8-01
SMTL8-02
SMTL8-03
SMTL10-02
SMTL10-03
SMTL10-04
SMTL12-02
SMTL12-03
SMTL12-04
SMTL14-03
SMTL14-04
SMTL16-03
SMTL16-04
SMTL5/32-M5
SMTL5/32-M6
SMTL5/32-01
SMTL5/32-02
SMTL5/16-01
SMTL5/16-02
SMTL5/16-03

Part #
SMTL1/8-G01
SMTL5/32-G01
SMTL1/4-G01
SMTL1/4-G02
SMTL5/16-G01
SMTL5/16-G02
SMTL3/8-G01
SMTL3/8-G02
SMTL3/8-G03

Part #
SMTL4-G01
SMTL5-G01
SMTL6-G01
SMTL6-G02
SMTL8-G01
SMTL8-G02
SMTL10-G01
SMTL10-G02
SMTL10-G03

\*NPT / BSPT threads no sealant

\*BSPP (G), U10, M5, M6 threads equipped with FKM (VITON) O-Ring

**Female Straight**



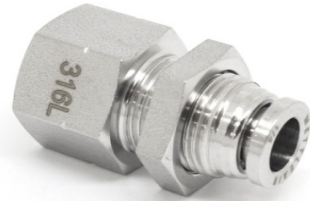
- Part #**  
 SMTCF1/8-U10  
 SMTCF1/8-N01  
 SMTCF1/8-N02  
 SMTCF5/32-N01  
 SMTCF5/32-N02  
 SMTCF1/4-N01  
 SMTCF1/4-N02  
 SMTCF1/4-N03  
 SMTCF5/16-N01  
 SMTCF5/16-N02  
 SMTCF3/8-N01  
 SMTCF3/8-N02  
 SMTCF3/8-N03  
 SMTCF3/8-N04  
 SMTCF1/2-N02  
 SMTCF1/2-N03  
 SMTCF1/2-N04

- Part #**  
 SMTCF5/32-G01  
 SMTCF1/4-G01  
 SMTCF1/4-G02  
 SMTCF5/16-G02  
 SMTCF5/16-G03

- Part #**  
 SMTCF4-N01  
 SMTCF4-N02  
 SMTCF6-N01  
 SMTCF6-N02  
 SMTCF8-N01  
 SMTCF8-N02  
 SMTCF10-N02  
 SMTCF10-N03  
 SMTCF12-N02  
 SMTCF12-N03  
 SMTCF12-N04

- Part #**  
 SMTCF4-G01  
 SMTCF6-G01  
 SMTCF6-G02  
 SMTCF8-G02  
 SMTCF8-G03  
 SMTCF10-G02  
 SMTCF10-G03  
 SMTCF10-G04  
 SMTCF12-G02  
 SMTCF12-G03  
 SMTCF12-G04

**Female Bulkhead**



- Part #**  
 SMTMF1/4-N01  
 SMTMF1/4-N02

**Male Round**



- Part #**  
 SMTCR5/32-U10  
 SMTCR5/32-N01  
 SMTCR1/4-N01  
 SMTCR1/4-N02  
  
 SMTCR4-U10  
 SMTCR4-N01

\*NPT / BSPT threads no sealant

\*BSPP (G), U10, M5, M6 threads equipped with FKM (VITON) O-Ring

**Branch Tee**



- Part #**
- SMTB5/32-N01
  - SMTB1/4-N01
  - SMTB1/4-N02
  - SMTB5/16-N02
  - SMTB3/8-N02
  - SMTB3/8-N03
  - SMTB3/8-N04
  - SMTB1/2-N02
  - SMTB1/2-N03
  - SMTB1/2-N04
  
  - SMTB4-N01
  - SMTB6-N01
  - SMTB6-N02
  - SMTB8-N02

**Straight Union**



- Part #**
- SMTU1/8
  - SMTU5/32
  - SMTU3/16
  - SMTU1/4
  - SMTU1/4-1/8
  - SMTU1/4-5/32
  - SMTU1/4-3/16
  - SMTU5/16-5/32
  - SMTU5/16-1/4
  - SMTU5/16
  - SMTU3/8-1/4
  - SMTU3/8-5/16
  - SMTU3/8
  - SMTU1/2-1/4
  - SMTU1/2-3/8
  - SMTU1/2
  
  - SMTU1/4-4
  - SMTU1/4-6
  - SMTU5/16-4
  - SMTU5/16-6
  - SMTU3/8-8
  - SMTU3/8-10
  - SMTU1/2-12

- Part #**
- SMTU3
  - SMTU4
  - SMTU5
  - SMTU6-4
  - SMTU6
  - SMTU8-4
  - SMTU8-6
  - SMTU8
  - SMTU10
  - SMTU10-4
  - SMTU10-6
  - SMTU10-8
  - SMTU12-6
  - SMTU12-8
  - SMTU12-10
  - SMTU12
  - SMTU14
  - SMTU16
  
  - SMTU6-5/32
  - SMTU8-5/32
  - SMTU8-1/4
  - SMTU10-5/32
  - SMTU10-5/16
  - SMTU12-5/16

**Run Tee**



- Part #**
- SMTD5/32-N01
  - SMTD1/4-N01
  - SMTD1/4-N02
  - SMTD3/8-N02
  - SMTD3/8-N03
  
  - SMTD4-N01

\*NPT / BSPT threads no sealant

**Male Y**



Part #
SMTX1/4-N01
SMTX1/4-N02
SMTX3/8-N02
SMTX3/8-N03

**Elbow Union**



Part #
SMTV1/8
SMTV5/32
SMTV3/16
SMTV1/4
SMTV5/16
SMTV3/8
SMTV1/2
SMTV3
SMTV4
SMTV5
SMTV6
SMTV8
SMTV10
SMTV12
SMTV14
SMTV16

**Tee Union**



Part #	D1 - D2
SMTE1/8-1/8	1/8-1/8
SMTE5/32-5/32	5/32-5/32
SMTE3/16-3/16	3/16-3/16
SMTE1/4-1/8	1/4-1/8
SMTE1/4-5/32	1/4-5/32
SMTE1/4-1/4	1/4-1/4
SMTE5/16-5/32	5/16-5/32
SMTE5/16-1/4	5/16-1/4
SMTE5/16-5/16	5/16-5/16
SMTE3/8-1/4	3/8-1/4
SMTE3/8-5/16	3/8-5/16
SMTE3/8-3/8	3/8-3/8
SMTE1/2-1/4	1/2-1/4
SMTE1/2-3/8	1/2-3/8
SMTE1/2-1/2	1/2-1/2
SMTE3-3	3-3
SMTE4-4	4-4
SMTE5-5	5-5
SMTE6-4	6-4
SMTE6-6	6-6
SMTE8-4	8-4
SMTE8-6	8-6
SMTE8-8	8-8
SMTE10-6	10-6
SMTE10-8	10-8
SMTE10-10	10-10
SMTE12-8	12-8
SMTE12-10	12-10
SMTE12-12	12-12
SMTE16-12	16-12
SMTE6-5/32	6-5/32
SMTE8-5/32	8-5/32
SMTE8-1/4	8-1/4

**Y Union**



Part #	D1 - D2
SMTY1/8-1/8	1/8-1/8
SMTY5/32-5/32	5/32-5/32
SMTY1/4-1/4	1/4-1/4
SMTY5/16-5/16	5/16-5/16
SMTY3/8-3/8	3/8-3/8
SMTY1/2-1/2	1/2-1/2
SMTY4-4	4-4
SMTY6-6	6-6
SMTY8-8	8-8
SMTY10-10	10-10
SMTY12-12	12-12

**Union Cross**



Part #
SMTZA5/32
SMTZA1/4
SMTZA5/16
SMTZA3/8
SMTZA1/2
SMTZA4
SMTZA6
SMTZA8
SMTZA10
SMTZA12

\*NPT / BSPT threads no sealant

**Plug-In Expander**



**Plug-In Reducer**



**Tube Plug**



Part #	D1 - D2
SMTAJ5/32-1/4	5/32-1/4
SMTAJ1/4-3/8	1/4-3/8
SMTAJ1/4-5/16	1/4-5/16
SMTAJ3/8-1/2	3/8-1/2
SMTAJ1/4-1/2	1/4-1/2
SMTAJ3/8-1/2	3/8-1/2
SMTAJ4-6	4-6
SMTAJ4-8	4-8
SMTAJ6-10	6-10
SMTAJ6-12	6-12
SMTAJ8-12	8-12
SMTAJ10-12	10-12
SMTAJ1/4-8	1/4-8

Part #	D1 - D2
SMTGJ1/4-1/8	1/4-1/8
SMTGJ1/4-5/32	1/4-5/32
SMTGJ5/16-5/32	5/16-5/32
SMTGJ5/16-1/4	5/16-1/4
SMTGJ3/8-1/4	3/8-1/4
SMTGJ3/8-5/16	3/8-5/16
SMTGJ1/2-1/4	1/2-1/4
SMTGJ1/2-3/8	1/2-3/8
SMTGJ6-4	6-4
SMTGJ8-6	8-6
SMTGJ10-6	10-6
SMTGJ10-8	10-8
SMTGJ12-6	12-6
SMTGJ12-8	12-8
SMTGJ12-10	12-10
SMTGJ1/4-4	1/4-4
SMTGJ5/16-4	5/16-4
SMTGJ5/16-6	5/16-6
SMTGJ3/8-8	3/8-8
SMTGJ6-5/32	6-5/32
SMTGJ10-5/16	10-5/16
SMTGJ12-5/16	12-5/16

Part #	
SMTTP1/8	
SMTTP5/32	
SMTTP3/16	
SMTTP1/4	
SMTTP5/16	
SMTTP3/8	
SMTTP1/2	
SMTTP3	
SMTTP4	
SMTTP5	
SMTTP6	
SMTTP8	
SMTTP10	
SMTTP12	



**Manifold Union**



Part #	D1 - D2
SMTKG1/8-1/8	1/8-1/8
SMTKG5/32-5/32	5/32-5/32
SMTKG1/4-1/4	1/4-1/4
SMTKG5/16-5/16	5/16-5/16
SMTKG3/8-1/4	3/8-1/4
SMTKG3/8-3/8	3/8-3/8
SMTKG1/2-3/8	1/2-3/8
SMTKG1/2-1/2	1/2-1/2
SMTKG4-4	4-4
SMTKG6-6	6-6
SMTKG8-8	8-8
SMTKG10-10	10-10
SMTKG12-12	12-12

**Bulkhead Union**



Part #
SMTM1/8
SMTM5/32
SMTM3/16
SMTM1/4
SMTM5/16
SMTM3/8
SMTM1/2

Part #
SMTM3
SMTM4
SMTM5
SMTM6
SMTM8
SMTM10
SMTM12
SMTM14
SMTM16

**Bulkhead Elbow Union**

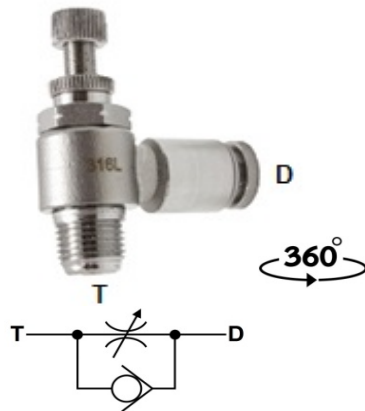


Part #
SMTMV1/4

\*NPT / BSPT threads no sealant

\*BSPP (G), U10, M5, M6 threads equipped with FKM (VITON) O-Ring

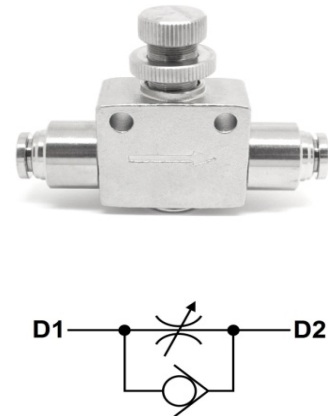
**Speed Control**  
**Meter Out**



- Part #**
- SMSC5/32-N01
  - SMSC1/4-N01
  - SMSC1/4-N02
  - SMSC5/16-N01
  - SMSC5/16-N02
  - SMSC3/8-N02
  - SMSC3/8-N03
  
  - SMSC5/32-M5
  - SMSC5/32-G01
  - SMSC5/16-G01

- Part #**
- SMSC4-N01
  - SMSC6-N01
  - SMSC6-N02
  - SMSC8-N01
  - SMSC8-N02
  - SMSC10-N02
  - SMSC10-N03
  
  - SMSC4-M5
  - SMSC6-01
  - SMSC6-02
  - SMSC10-02
  - SMSC10-03
  
  - SMSC4-G01
  - SMSC8-G01
  - SMSC10-G01
  - SMSC10-G02

**Inline Speed Control**



- Part #**
- SMSCA5/32
  - SMSCA1/4
  - SMSCA5/16
  - SMCA3/8
  - SMSCA1/2
  
  - SMSCA4
  - SMSCA6
  - SMSCA8
  - SMSCA10
  - SMSCA12

\*NPT / BSPT threads no sealant

\*BSPP (G), U10, M5, M6 threads equipped with FKM (VITON) O-Ring