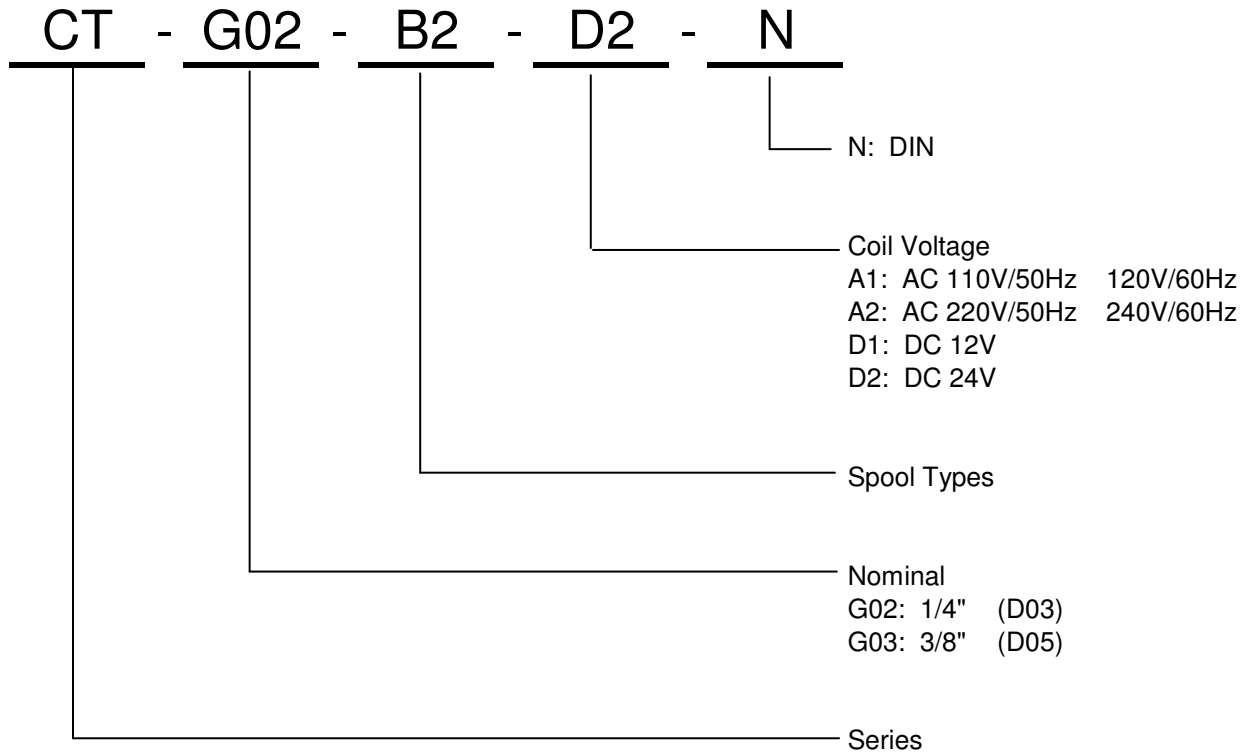


Directional Control Valves Solenoid Operated - CT Series



Product Characteristics:

- ISO standard (4401-03-02-0-94) mounting
- Wet tubes
- Quiet surgeless operation
- Manual override
- Dual frequency 50/60Hz with DIN connector
- Moisture proof construction
- Metallic encased coil for enhanced heat dissipation
- H class coil insulation
- LED indication



Control Technologies International Limited
 (519) 823-4466
www.c-t-i.ca

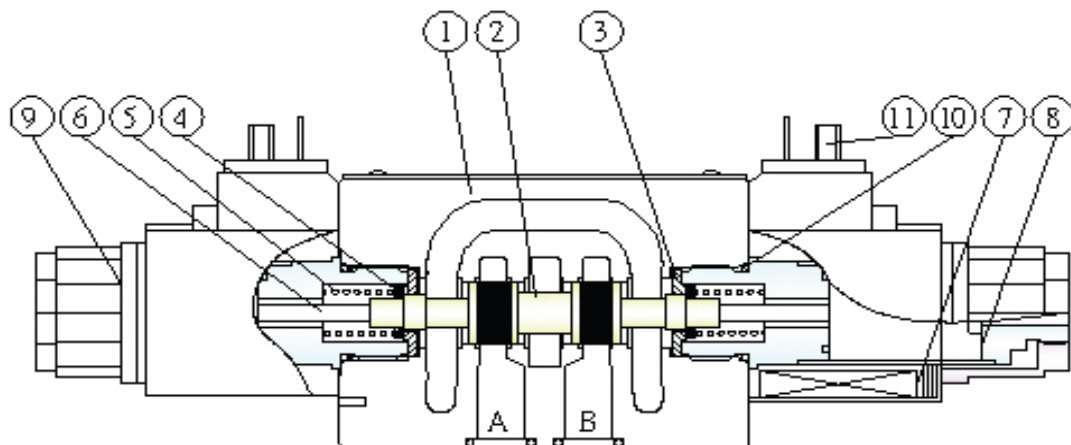
Directional Control Valves Solenoid Operated - CT Series

Functional Description:

The directional control valves consist of housing (1), a control spool (2), with two centering springs (5), and cylindrical operating solenoid (8).

The three-position directional control valves are fitted with two solenoids and two springs. Two-position directional control valves have either one solenoid and one return spring or two solenoids and a detent assembly.

The connectors can be turned by 90°, by loosening the nut (9); the solenoids can be turned or replaced without interfering with any seals of the valve. In the case of solenoid malfunction or power failure, the spool of the valve can be shifted by manual override, provided the pressure in T-port does not exceed 25 bar, the valve housing (1) is phosphate coated.



Control Technologies International Limited
(519) 823-4466 www.c-t-i.ca

Directional Control Valves Solenoid Operated - CT Series

Technical Data

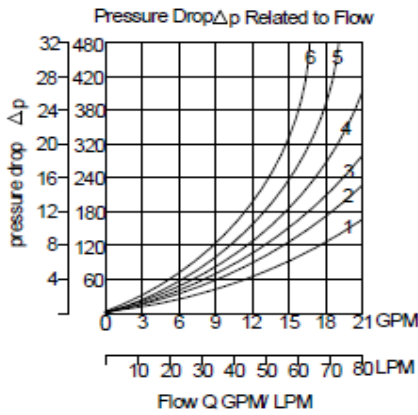
Valve Size	US (mm)	D03 D05 (G02 / G03)			
Maximum Flow	GPM (L/min)	G02: 16.6 (63) G03: 31.7 (120)			
Max. Operating Pressure at Port P, A, B	PSI (bar)	5000 (350)			
Max. Operating Pressure at Port T	PSI (bar)	3000 (210)			
Pressure Drop	PSI (bar)	See Δp -Q Characteristics			
Hydraulic Fluid		Petroleum Oils (HM, HL, HLP) Phosphate Ester Fluids (HFD-R)			
Fluid Temperature Range for NBR Seals	°F (°C)	-22...+176 (-30...+80)			
Fluid Temperature Range for FPM Seals	°F (°C)	-4...+176 (-20...+80)			
Ambient Temperature Max.	°F (°C)	Up to +122 (+50)			
Viscosity Range	SUS (mm ² /s)	98...1840 (20...400)			
Maximum Degree of Fluid Contamination		Class 21/18/15 to ISO 4406 (1999)			
Max. Allowable Voltage Variation		DC: ± 10 AC: ± 10			
Max. Switching Frequency	1/hr	15,000			
Switching Time On: at v=170 SUS (35 mm ² /s)	ms	DC: 30...50 AC: 30...40			
Switching Time Off: at v=170 SUS (35 mm ² /s)	ms	DC: 10...50 AC: 30...70			
Duty Cycle		100			
Service Life	cycles	10 ⁷			
Enclosure Type to DIN 40 050		IP 65			
Weight - valve with 1 solenoid		G02	3.74 (1.7)	G03	9.02 (4.1)
- valve with 2 solenoids	lbs (kg)		4.40 (2.0)		12.54(5.7)



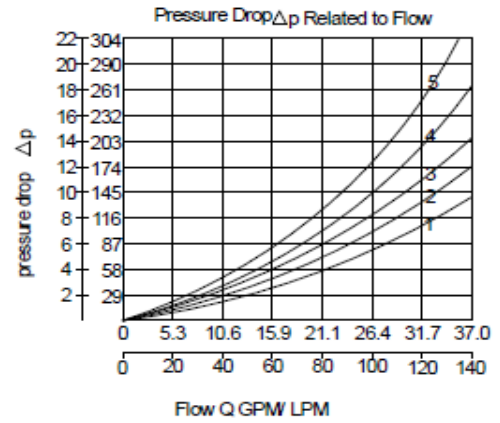
Control Technologies International Limited
(519) 823-4466 www.c-t-i.ca

Directional Control Valves Solenoid Operated - CT Series

Δp -Q Characteristics of CT G02 Valves Δp -Q Characteristics of CT G03 Valves



	P-A	P-B	A-T	B-T	P-T
C2	2	2	3	3	
C3	2	2	2	3	3
C4	2	2	2	2	2
C5	2	2	3	3	
C6	5	5	5	6	3
C8	3	3	3	3	
B2	2	2	3	3	
B3		1	3		



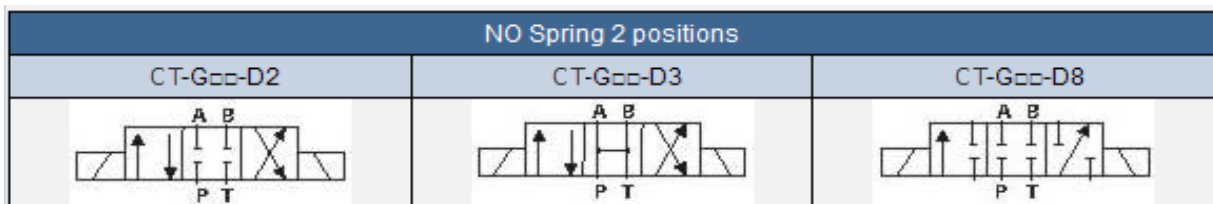
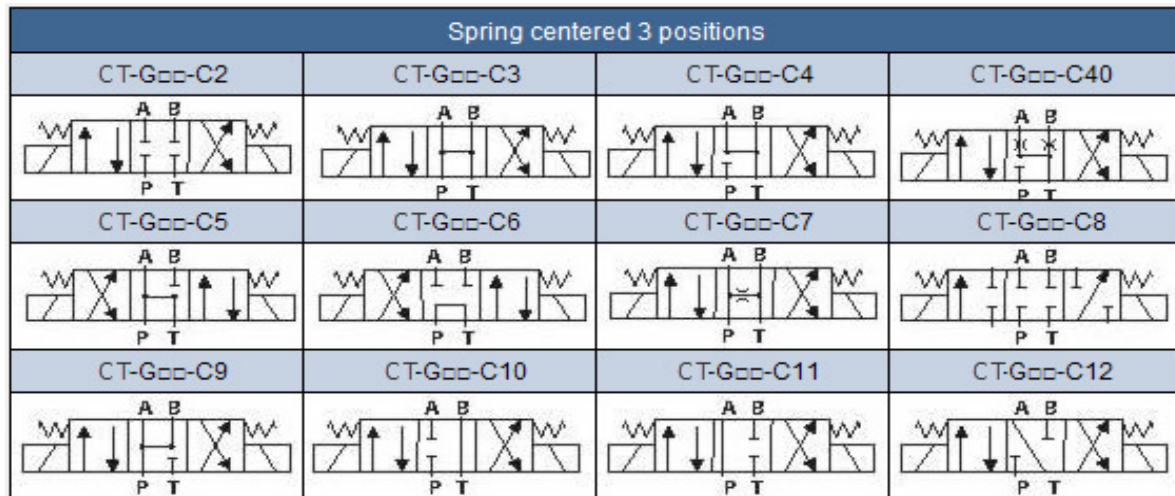
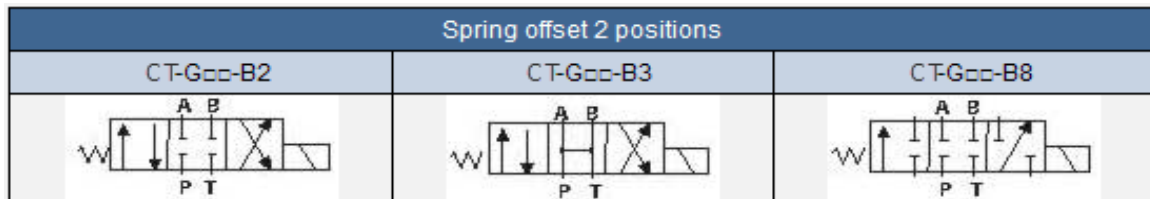
	P-A	P-B	A-T	B-T	P-T
C2	1	1	2	2	
C3	1	1	2	2	1
C4	1	1	2	2	
C5	1	1	1	2	2
C6	4	3	4	5	1
C8	3	3	3	3	
B2	1	1	2	3	
B3	1	1	3	2	
B3		1	2		



Control Technologies International Limited
(519) 823-4466 www.c-t-i.ca

Directional Control Valves

Solenoid Operated - CT Series



Control Technologies International Limited
 (519) 823-4466
www.c-t-i.ca

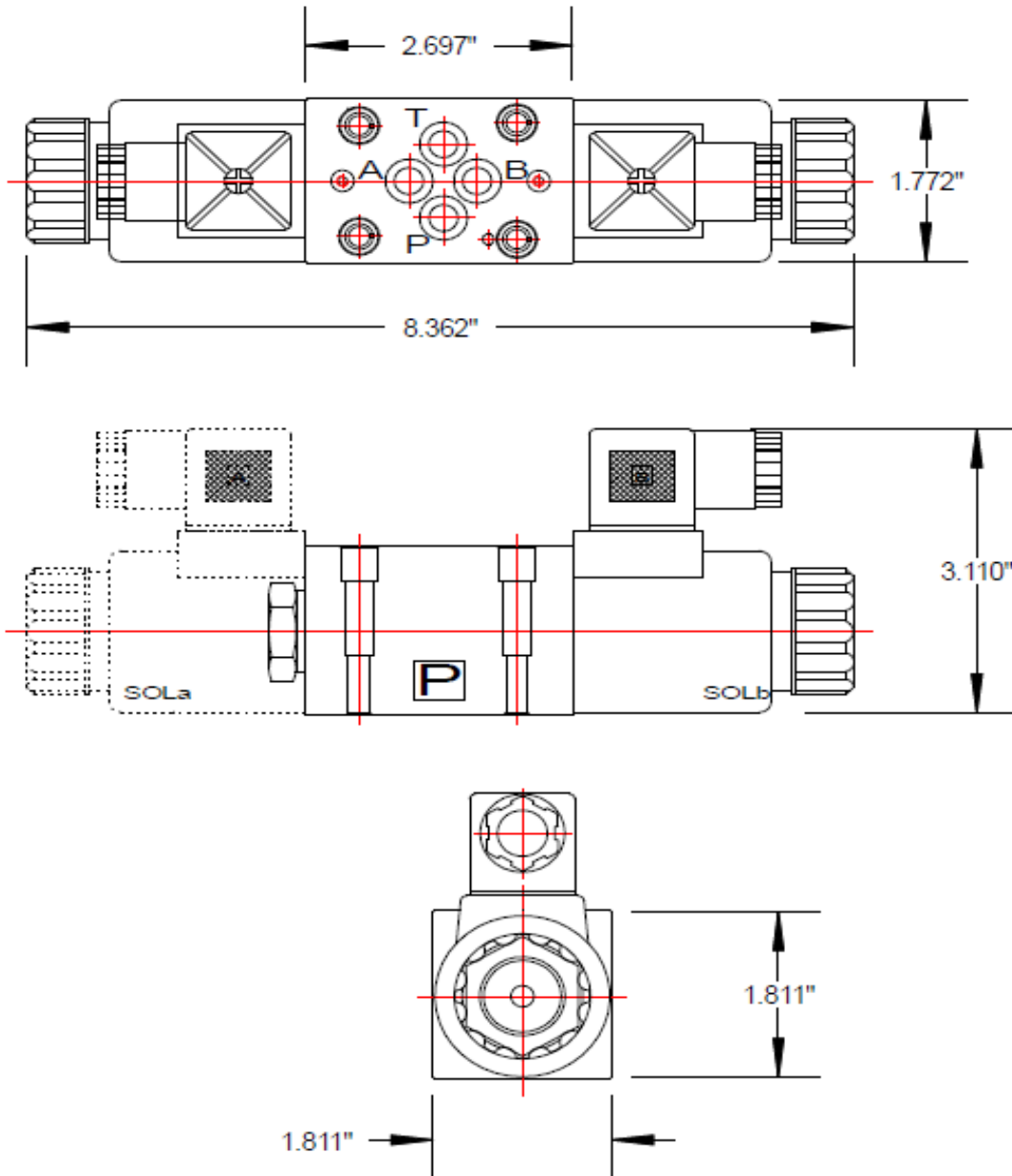
Directional Control Valves

Solenoid Operated - CT Series

Type	Graphic symbols		Type	Graphic symbols	
	Standard	Reverse		Standard	Reverse
B2A			B2B		
B3A			B3B		
B4A			B4B		
B40A			B40B		
B5A			B5B		
B60A			B60B		
B7A			B7B		
B8A			B8B		
B9A			B9B		
B10A			B10B		
B11A			B11B		
B12A			B12B		

Directional Control Valves
Solenoid Operated - CT Series

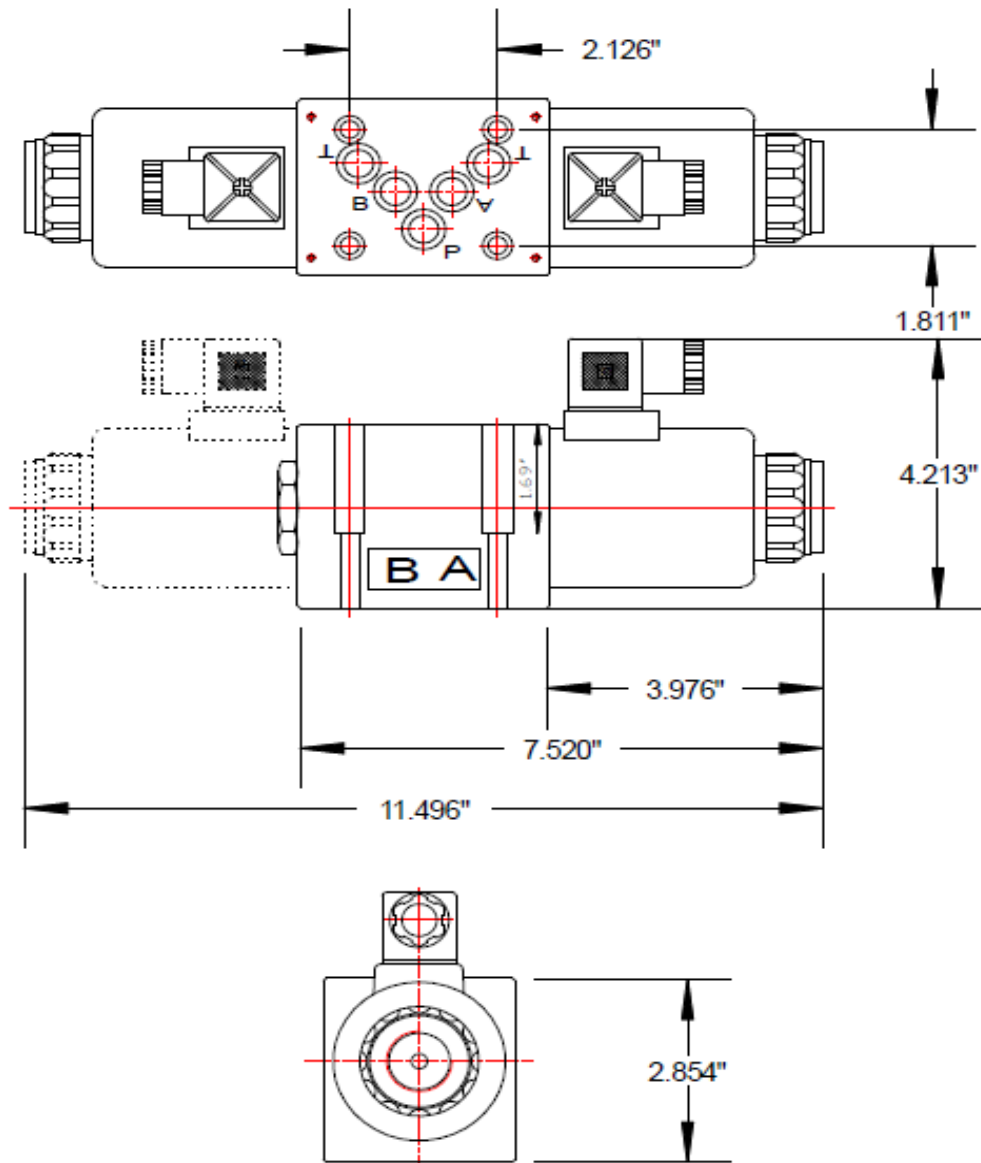
CT-G02 Dimensions



Control Technologies International Limited
(519) 823-4466
www.c-t-i.ca

Directional Control Valves
Solenoid Operated - CT Series

CT-G03 Dimensions



Control Technologies International Limited
(519) 823-4466
www.c-t-i.ca