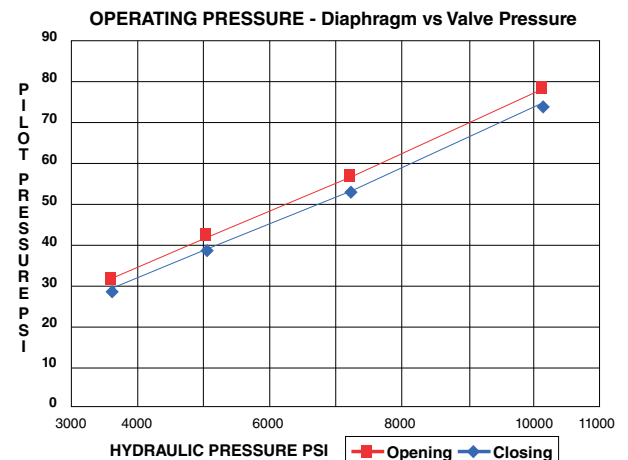
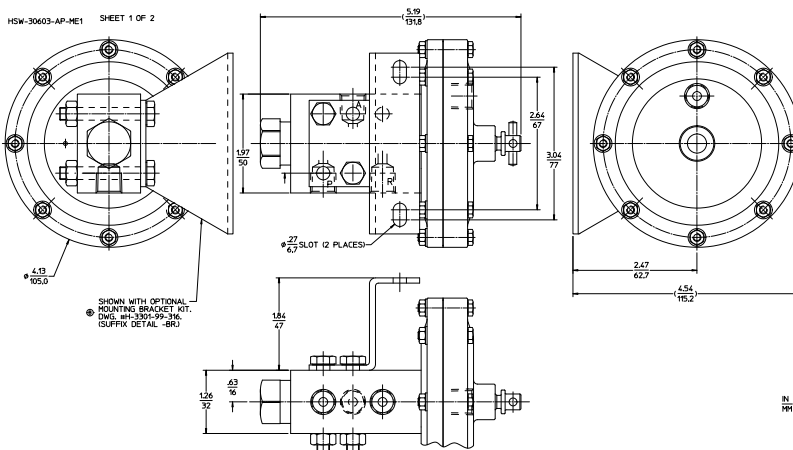
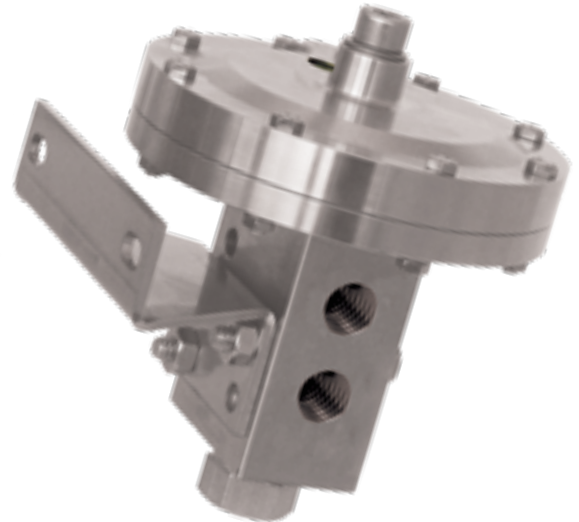


## Hydraulic Interface Valve

The Versa H Series, HSW hydraulic interface valve, is a diaphragm, pilot operated, 3-Way, 2-position normally closed, block before bleed valve. Applying a low pressure signal to the diaphragm can control up to 10,000 psi through the valve body.

A key feature of the HSW valve's reliability, is the use of unique, ceramic ball seals that assure leak free operation and long service life, while offering compatibility with a wide range of media.

The HSW can function with a variety of media including hydraulic fluids, glycol, compressed air, or natural gas. Standard valves have a flow rate for hydraulic fluids up to 4 gpm (15 l/min).



Function: 3/2, 3-Way, 2 Position (block before bleed)  
 Flow Rate: Cv: 0.8  
 Flow 4 GPM (15 lpm)  
 Port Size: 1/4" NPT  
 Media: Pneumatic and Hydraulic  
 Pressure: 0 to 10,000 psi (0 to 690 Bar)

Temperature: -20°F to 250°F (-29°C to 121°C)  
 Materials:  
 Valve body: 316 Stainless Steel  
 Valve seals: FKM (fluorocarbon) low temp option available  
 Ceramic Ball  
 Mounting: Inline, body mount or optional bracket

Options: Mounting Bracket (-BR)  
 Manual Override (-ME)  
 Low Temperature seals (-44)

Part Number: HSW-30603-AP-(\* )

\*Options